



The right sensor makes the difference.

Different applications require different types of pH sensors to ensure measurement accuracy and extend instrument lifetime. Select the best pH probe for your application - our probes can be used with a wide range of meters and analyzers.

This specification sheet covers:

- Polycarbonate 12mm pH electrodes
- Ultem® 12mm pH electrodes
- Glass 12mm pH electrodes
- Spear tip 12mm pH electrodes
- Flat surface 12mm pH electrodes

Recommended applications:

- Environmental Sample Testing
- Wastewater Sample Testing
- Drinking Water Sample Testing
- Education
- Research and Development
- Meats, Cheeses, and Jellies
- Soil Sample Testing
- Hydroponics
- Swimming Pools
- Aquariums
- And More!

Choose basic, advanced, or premium options based on your application

Accurate and reliable measurements across full pH scale (0-14)

Compatible with any meter accepting a BNC

Select from glass body or polymer body pH sensors

Instantly ready for use: Extended shelf life (guaranteed for one year)

One year limited warranty

For specific application recommendations, check out our [Interactive Selection Tool!](#)



*Ultem is a registered trademark of General Electric Company. No affiliation, endorsement or sponsorship is stated or implied.

DESIGNED AND ASSEMBLED IN CALIFORNIA, USA

11751 MARKON DRIVE • GARDEN GROVE, CA 92841 • 714.895.4344 • WWW.SENSOREX.COM

© Sensorex Corporation. All rights reserved. In the interest of improving and updating its equipment, Sensorex reserves the right to alter specifications to equipment at any time.

PLASTIC LABORATORY pH ELECTRODES

PRODUCT SPECIFICATION SHEET



Choose basic, advanced, or premium options based on your application

Virtually unbreakable with durable polycarbonate or Ultem® bodies

Compatible with any meter accepting a BNC

Accurate and reliable measurements across full pH scale (0-14)

Instantly ready for use: Extended shelf life (guaranteed for one year)

One year limited warranty

The right sensor makes the difference.

pH1000
Basic

pH1600
Basic



Choosing a sensor that is well-suited for your application will improve measurement accuracy and extend sensor lifetime. Select from basic, advanced, and research grade pH sensors to find the option that meets your application needs.

pH1000 Series (Basic): The pH1000 polycarbonate pH sensor is easy to use and stands up to the usual wear and tear. This sensor performs reliably in environments such as swimming pools and hydroponics. New to the pH1000 series is model pH1600 for those who require a more chemically resistant body material.

pH2000 Series (Advanced): The pH2000 series of Ultem® pH sensors offers enhanced chemical compatibility. Great for testing samples with unknown composition, such as wastewater, these sensors feature double junction reference protection and operate at temperatures up to 80°C.

pH2000
Advanced (Classic Bulb)



pH3000 Series (Research Grade): Our pH3000 series Ultem® pH electrodes are designed for maximum accuracy and sensor lifetime. These research grade probes stand up to aggressive chemicals and temperatures up to 100°C. The refillable design is excellent for precision measurements, even in low ionic samples.

pH2100
Advanced (Flat Tip)

pH2200
Advanced (Spear Tip)

pH3000
Research Grade



*Ultem is a registered trademark of General Electric Company. No affiliation, endorsement or sponsorship is stated or implied.

DESIGNED AND ASSEMBLED IN CALIFORNIA, USA

11751 MARKON DRIVE • GARDEN GROVE, CA 92841 • 714.895.4344 • WWW.SENSOREX.COM

© Sensorex Corporation. All rights reserved. In the interest of improving and updating its equipment, Sensorex reserves the right to alter specifications to equipment at any time.

SPECIFICATIONS

BASIC

pH1000 Series

Reference	Sealed
Junction Number	Single (1)
Junction Material	Pellon
Reference Solution	3.5 M KCl/AgCl (gel)
Glass Shape	Bulb
Body Material	Polycarbonate, Ultem (pH1600 only)
Temperature Range	0-60 degrees C, 0-80 degrees C (pH1600 only)
Strain Relief	No
BNC Boot	No
Bulb Protection	Slots, teeth (pH1600 only)

UNIVERSAL

All Plastic Laboratory pH Electrodes

Diameter	12mm
Length	150mm
pH Range	0 - 14 (Na ⁺ error at 12.3 < pH)
Response	95% in 1 second (bulb glass shape) 95% in 5 seconds (flat glass shape) 90% < in 5-7 seconds (spear glass shape)
Isopotential Point	7.00 pH (0 mV)
Offset	± 0.20 pH
Span	97% of theoretical or higher

ADVANCED

pH2000

Reference	Sealed
Junction Number	Double (2)
Junction Material	Pellon
Reference Solution	3.5 M KCl/AgCl/KNO ₃ (gel)
Glass Shape	Bulb
Body Material	Ultem®
Temperature Range	0-80 degrees C
Strain Relief	No
BNC Boot	Yes
Bulb Protection	Teeth

pH2100

Reference	Sealed
Junction Number	Double (2)
Junction Material	HDPE and Pellon
Reference Solution	3.5 M KCl/AgCl/KNO ₃ (gel)
Glass Shape	Flat
Body Material	Ultem®
Temperature Range	0-80 degrees C
Strain Relief	No
BNC Boot	Yes

pH2200

Reference	Sealed
Junction Number	Double (2)
Junction Material	Kynar and Pellon
Reference Solution	3.5 M KCl/AgCl/KNO ₃ (gel)
Glass Shape	Spear
Body Material	Ultem®
Temperature Range	0-80 degrees C
Strain Relief	No
BNC Boot	Yes

RESEARCH GRADE

pH3000

Reference	Refillable
Junction Number	Double (2)
Junction Material	Ground Epoxy and pHASE
Reference Solution	3.5 M KCl (liquid)
Glass Shape	Bulb
Body Material	Ultem®
Temperature Range	0-100 degrees C
Strain Relief	Yes
BNC Boot	Yes
Bulb Protection	Removable Guard

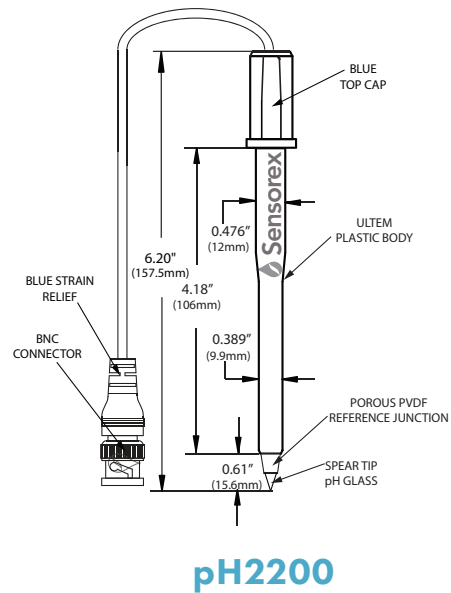
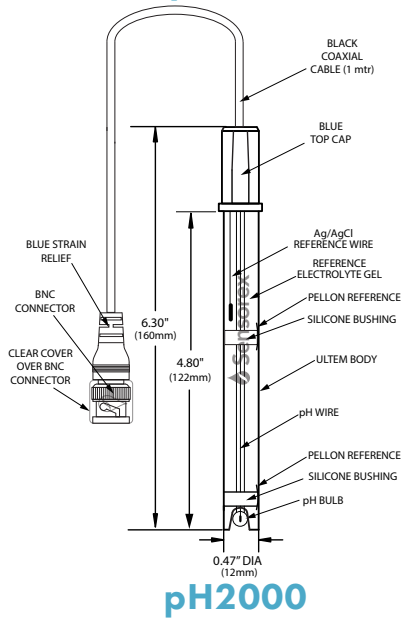
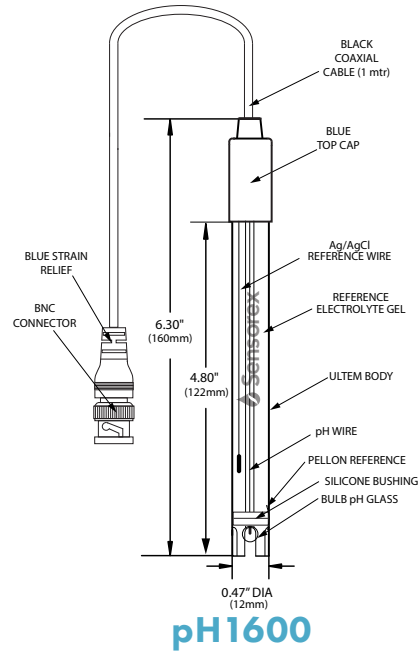
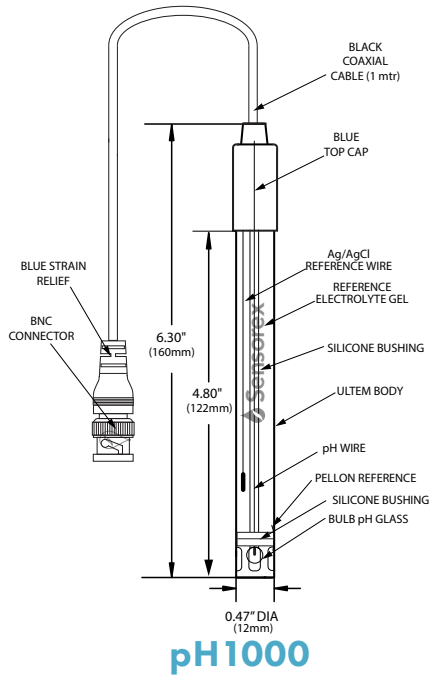
*Ultem is a registered trademark of General Electric Company. No affiliation, endorsement or sponsorship is stated or implied.

DESIGNED AND ASSEMBLED IN CALIFORNIA, USA

11751 MARKON DRIVE • GARDEN GROVE, CA 92841 • 714.895.4344 • WWW.SENSOREX.COM

© Sensorex Corporation. All rights reserved. In the interest of improving and updating its equipment, Sensorex reserves the right to alter specifications to equipment at any time.

OUTLINES AND DIMENSIONS



ORDERING INFORMATION

Part Number	Description
pH1000	Single junction, sealed polycarbonate pH electrode
pH1600	Single junction, sealed Ultem® pH electrode
pH2000	Double junction, sealed Ultem® pH electrode
pH2200	Double junction, sealed Ultem® pH electrode with spear tip for food and soil applications

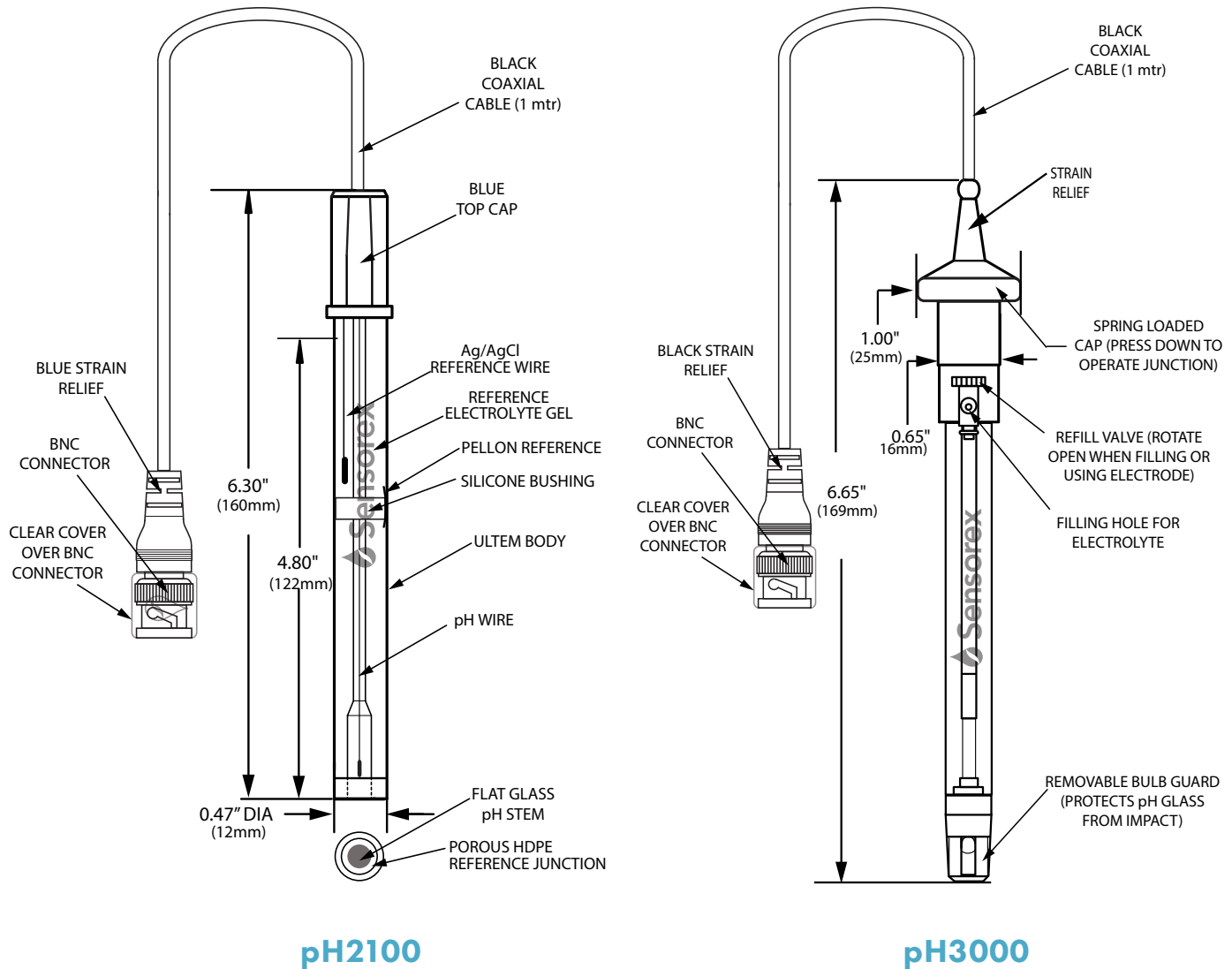
*Ultem is a registered trademark of General Electric Company. No affiliation, endorsement or sponsorship is stated or implied.

DESIGNED AND ASSEMBLED IN CALIFORNIA, USA

11751 MARKON DRIVE • GARDEN GROVE, CA 92841 • 714.895.4344 • WWW.SENSOREX.COM

© Sensorex Corporation. All rights reserved. In the interest of improving and updating its equipment, Sensorex reserves the right to alter specifications to equipment at any time.

OUTLINES AND DIMENSIONS



ORDERING INFORMATION

Part Number Description

pH2100	Double junction, sealed Ultem® pH electrode with flat measurement surface for specialty applications
pH3000	High accuracy, research grade double junction refillable Ultem® pH electrode

Need a custom configuration? [Contact us.](#)

*Ultem is a registered trademark of General Electric Company. No affiliation, endorsement or sponsorship is stated or implied.

DESIGNED AND ASSEMBLED IN CALIFORNIA, USA

11751 MARKON DRIVE • GARDEN GROVE, CA 92841 • 714.895.4344 • WWW.SENSOREX.COM

© Sensorex Corporation. All rights reserved. In the interest of improving and updating its equipment, Sensorex reserves the right to alter specifications to equipment at any time.

GLASS LABORATORY pH ELECTRODES

PRODUCT SPECIFICATION SHEET

Maximum chemical compatibility with inert glass bodies

Highly adaptable: Compatible with any meter accepting BNC

Choose basic, advanced, or premium options based on your application

Accurate and reliable measurements across full pH scale (0-14)

Instantly ready for use: Extended shelf life (guaranteed for one year)

One year limited warranty



pH1400
Basic



pH2400 (Classic Bulb)
Advanced



pH2500 (Flat Tip)
Advanced



pH3400
Research Grade

The right sensor makes the difference.

Choosing a sensor that is well-suited for your application will improve measurement accuracy and extend sensor lifetime. Glass body sensors perform well in unpredictable chemical environments due to the inert properties of glass.

pH1400 (Basic): The pH1400 glass pH sensor is easy to use and performs reliably in applications such as hydroponics, gardening, and education.

pH2400 & pH2500 (Advanced): The pH2400 (bulb shape) and pH2500 (flat tip) electrodes are great for testing samples with unknown composition, such as wastewater. The double junction reference design prevents fouling by proteins, enzyme, and TRIS buffer.

pH3400 (Research Grade): Our pH3400 glass pH electrodes are designed for maximum accuracy and sensor lifetime. These research grade probes have high sensitivity internals for temperature responsive measurements up to 100°C. The refillable pump junction allows easy maintenance to extend the sensor's lifetime.

DESIGNED AND ASSEMBLED IN CALIFORNIA, USA

11751 MARKON DRIVE • GARDEN GROVE, CA 92841 • 714.895.4344 • WWW.SENSOREX.COM

© Sensorex Corporation. All rights reserved. In the interest of improving and updating its equipment, Sensorex reserves the right to alter specifications to equipment at any time.

SPECIFICATIONS

BASIC

pH1400

Reference	Refillable
Junction Number	Single (1)
Junction Material	Ceramic Frit
Reference Solution	3.5 M KCl/AgCl (liquid)
Glass Shape	Bulb
Body Material	Glass
Temperature Range	0-60 degrees C
Strain Relief	No

UNIVERSAL

All Glass Laboratory pH Electrodes

Diameter	12mm
Length	150mm
pH Range	0 - 14 (Na ⁺ error at 12.3 < pH)
Response	95% in 1 second (bulb glass shape) 95% in 5 seconds (flat glass shape)
Isopotential Point	7.00 pH (0 mV)
Offset	± 0.20 pH
Span	97% of theoretical or higher

ADVANCED

pH2400

Reference	Refillable
Junction Number	Double (2)
Junction Material	Annular Ceramic and Ceramic Frit
Reference Solution	3.5 M KCl/AgCl/ KNO ₃ (liquid)
Glass Shape	Bulb
Body Material	Glass
Temperature Range	0-80 degrees C
Strain Relief	No
BNC Boot	Yes

SPECIALTY

pH2500

Reference	Sealed
Junction Number	Double (2)
Junction Material	HDPE and Pellon
Reference Solution	3.5 M KCl/AgCl/ KNO ₃ (gel)
Glass Shape	Flat
Body Material	Glass
Temperature Range	0-80 degrees C
Strain Relief	No
BNC Boot	Yes

RESEARCH GRADE

pH3400

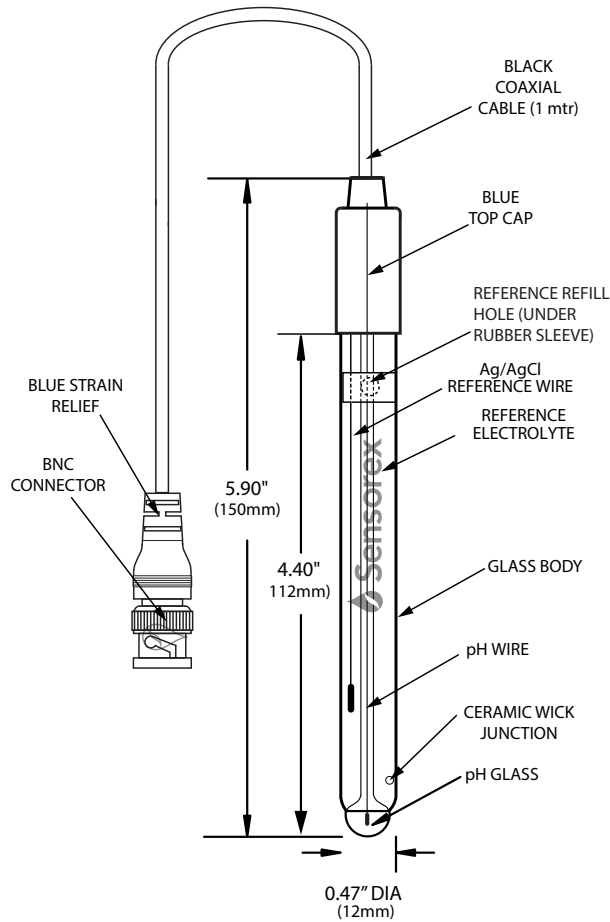
Reference	Refillable
Junction Number	Double (2)
Junction Material	Ground Glass and pHASE
Reference Solution	3.5 M KCl (liquid)
Glass Shape	Bulb
Body Material	Glass
Temperature Range	0-100 degrees C
Strain Relief	Yes
BNC Boot	Yes
Bulb Protection	Removable Guard

DESIGNED AND ASSEMBLED IN CALIFORNIA, USA

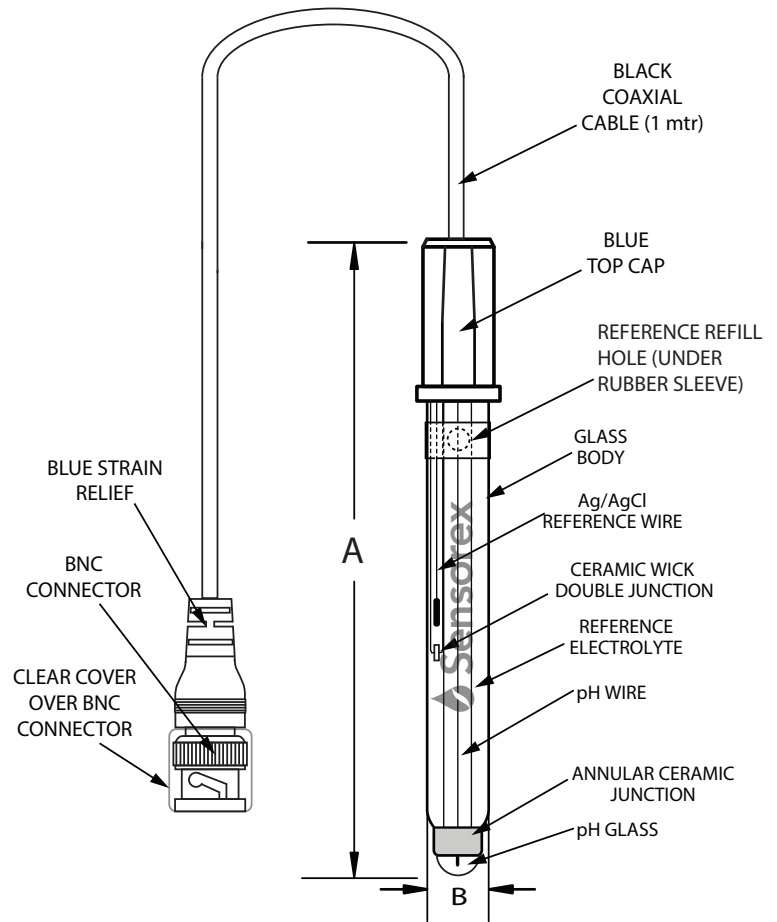
11751 MARKON DRIVE • GARDEN GROVE, CA 92841 • 714.895.4344 • WWW.SENSOREX.COM

© Sensorex Corporation. All rights reserved. In the interest of improving and updating its equipment, Sensorex reserves the right to alter specifications to equipment at any time.

OUTLINES AND DIMENSIONS



pH1400



pH2400

ORDERING INFORMATION

Part Number	Description
pH1400	Single junction, refillable glass body pH electrode
pH2400	Double junction, refillable glass body pH electrode

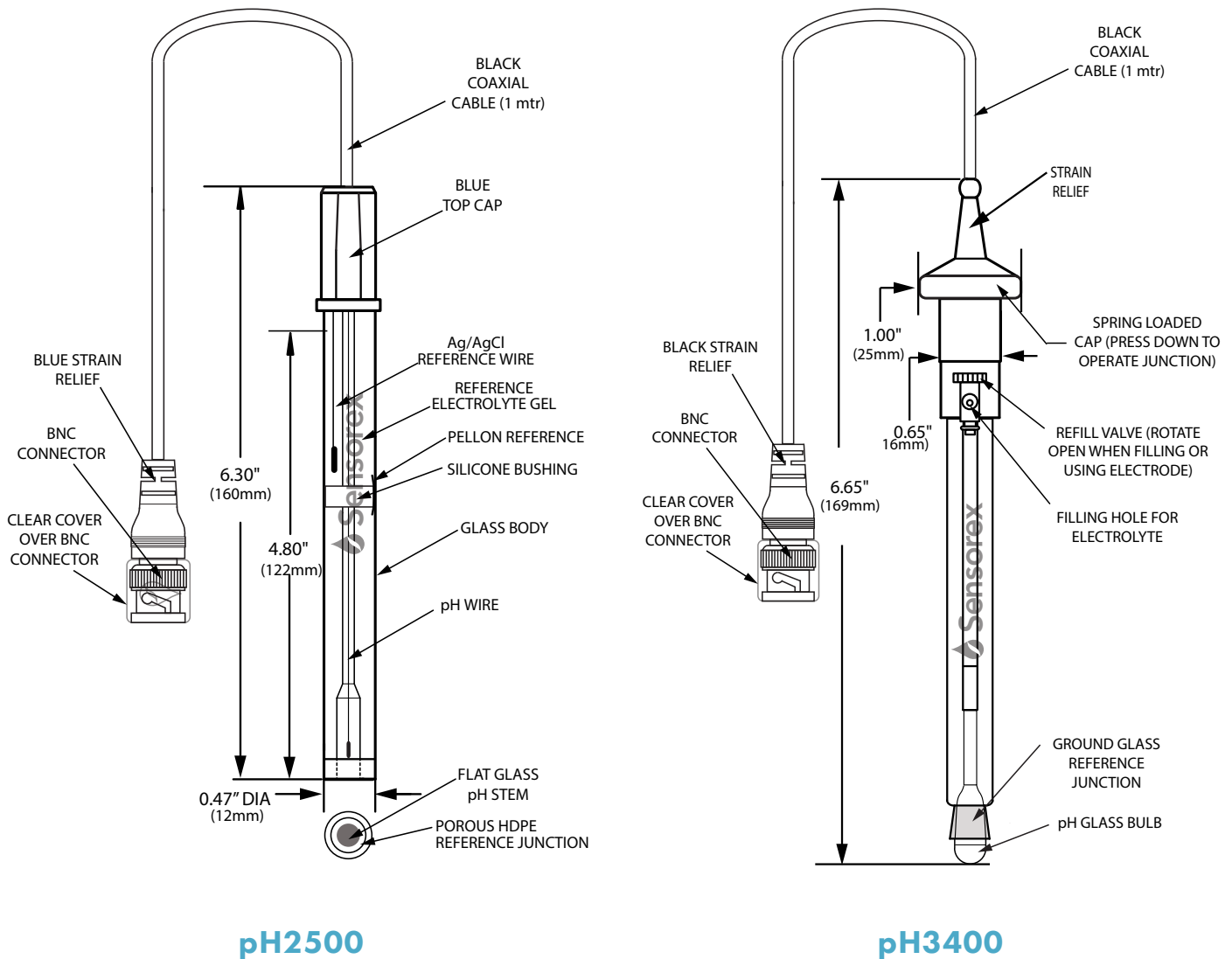
Need a custom configuration? [Contact us.](#)

DESIGNED AND ASSEMBLED IN CALIFORNIA, USA

11751 MARKON DRIVE • GARDEN GROVE, CA 92841 • 714.895.4344 • WWW.SENSOREX.COM

© Sensorex Corporation. All rights reserved. In the interest of improving and updating its equipment, Sensorex reserves the right to alter specifications to equipment at any time.

OUTLINES AND DIMENSIONS



ORDERING INFORMATION

Part Number Description

pH2500	Double junction, sealed glass body pH electrode with flat measurement surface for specialty applications
pH3400	High accuracy research grade double junction, refillable glass body pH electrode

Need a custom configuration? [Contact us.](#)

DESIGNED AND ASSEMBLED IN CALIFORNIA, USA

11751 MARKON DRIVE • GARDEN GROVE, CA 92841 • 714.895.4344 • WWW.SENSOREX.COM

© Sensorex Corporation. All rights reserved. In the interest of improving and updating its equipment, Sensorex reserves the right to alter specifications to equipment at any time.